

PRESENTED BY



**AN ISO 17025
ACCREDITED COMPANY**

DALLAS FT WORTH AUSTIN HOUSTON

NICOLSCALES.COM

800.225.8181

[CONTACT US](#)

NICOL SCALES & MEASUREMENT IS AN ISO ACCREDITED CALIBRATION
COMPANY THAT HAS PROVIDED CALIBRATION, REPAIR AND SALES OF ALL TYPES
OF WEIGHING AND MEASUREMENT PRODUCTS SINCE 1931.

Adaptor Catalogue



Adaptor Catalogue

| | |
|-------------------------------------|---------------|
| Set Screws | Page 3 |
| Thread Adaptors | Page 3 |
| Thread Couplers | Page 3 |
| 5/8 Eye End Adaptors | Page 4 |
| Grip Pins | Page 4 |
| Eye End Adaptors | Page 4 |
| Locking Rings | Page 5 |
| Load Cell Eye Ends | Page 5 |
| Machine Anchor Pins | Page 5 |
| Crosshead Fixing Bolts | Page 5 |
| C-Spanners | Page 6 |
| POGO Extension Rods | Page 6 |
| Universal Joints | Page 6 |

A range of adaptors for grips, fixtures and load cells

| Part Number | Set Screws | Quantity | Rating |
|-------------|--|----------|--------|
| 3127 | Set screw, #10-32M thread 3/16 inch long | Single | 500N |
| 3157 | Set screw, #10-32M thread 3/4 inch long | Single | 500N |
| NC002686 | Set screw, 5/16-18M thread 1 inch long | Single | 500N |
| P-10020 | Set screw, 5/16-18M thread 11/16 inch long | Single | 500N |
| P-10269 | Set screw, #10-32M thread 3/4 inch long | Single | 500N |



| Part Number | Thread Adaptors | Quantity | Rating |
|-------------|--|----------|--------|
| 17039 | Thread Adaptor, one end #10-32M other end 1/4-28M | Single | 500N |
| NC000686 | Thread Adaptor, one end #10-32M other end 5/16-18M | Single | 500N |
| NC000296 | Thread Adaptor, one end 1/4-28M other end 5/16-18M | Single | 500N |
| 17162 | Thread Adaptor, one end 1/2-20M other end 5/16-18M | Single | 500N |



| Part Number | Thread Couplers | Quantity | Rating |
|-------------|--|----------|--------|
| 1760 | Threaded Coupler, one end #10-32F other end #10-32F | Single | 500N |
| 17057 | Threaded Coupler, one end #10-32F other end 1/4-20F | Single | 500N |
| 17056 | Threaded Coupler, one end 1/4-20F other end 5/16-18F | Single | 500N |
| 13048 | Threaded Coupler, one end 1/4-28F other end 5/16-18F | Single | 500N |

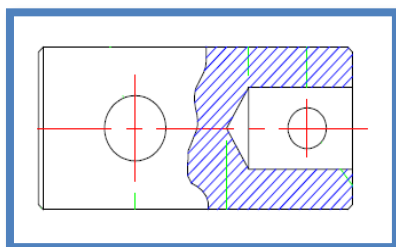


| Part Number | 5/8 inch Eye End Adaptors | Quantity | Rating |
|---------------|--|----------|--------|
| SPK-EYE-1032F | 5/8 inch Eye End with #10-32F thread in one end | Single | 10kN |
| ADT/0115/00 | 5/8 inch Eye End with 5/16-18F thread in one end | Single | 10kN |
| SPK-EYE-1032M | 5/8 inch Eye End with #10-32M stud in one end | Single | 10kN |
| SPK-EYE-2528M | 5/8 inch Eye End with 1/4-28M stud in one end | Single | 10kN |
| SPK-AFG-1032F | 5/8 inch socket with #10-32F thread in one end | Single | 10kN |
| SPK-SFG-2520F | 5/8 inch socket with 1/4-20F thread in one end | Single | 10kN |
| SPK-AFG-2528F | 5/8 inch socket with 1/4-28F thread in one end | Single | 10kN |
| ADT/0329/00 | 5/8 inch socket with 3/8-16M stud in one end | Single | 10kN |
| ADT/0291/00 | 5/8 inch socket with M6F thread in one end | Single | 10kN |
| 01/4220 | 8mm male to 5/8 inch female adaptor for 01/4215 and 01/4216 Vice Grips | Single | 100N |

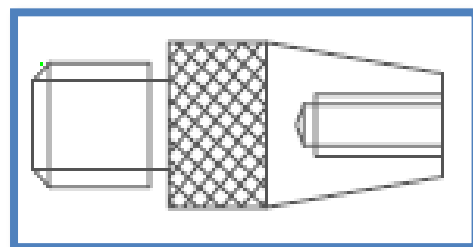


| Part Number | Grip Pins | Quantity | Rating |
|-------------|----------------------------------|----------|--------|
| NC000612 | Grip Pin for 5/8 inch eye ends | Single | 10kN |
| PIT/0169/00 | Grip Pin for 5/8 inch eye ends | Single | 10kN |
| PIN/0061/00 | Grip Pin for 1-1/4 inch eye ends | Single | 150kN |
| PIN/0343/00 | Grip Pin for 50mm inch eye ends | Single | 300kN |

| Part Number | Eye End Adaptors | Quantity | Rating |
|-------------|--|----------|--------|
| ADT/0030/00 | Eye end enlarger, increases 5/8 inch eye end to 1-1/4 inch. Requires 1 PIN/0061/00 per adaptor | Single | 20kN |
| ADT/0275/00 | Food probe adaptor, M12M to M6F, allows food probes to be fitted to 1, 2.5, 5 and 10kN load cell's | Single | 10kN |

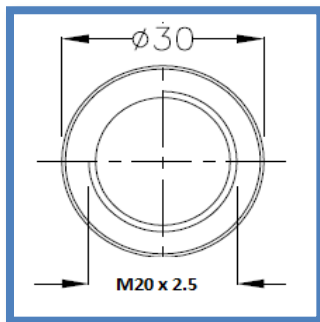


ADT/0030/00

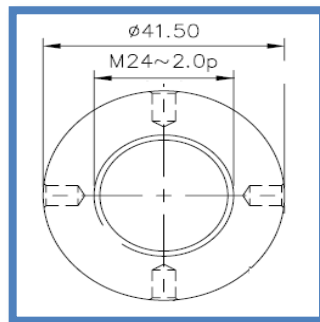


ADT/0275/00

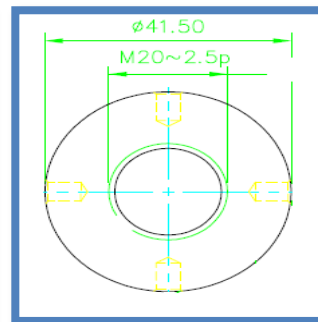
| Part Number | Locking Rings | Quantity | Rating |
|-------------|---|----------|--------|
| NTT/0139/00 | Locking ring for eye ends, 30mm OD, M20 x 2.5 ID, used on 500N load cells down to 5N Load cell | Single | 500N |
| NTT/0151/00 | Locking ring for eye ends, mm 41.5mm OD, M20 x 2.0 ID, used on 1kN to 10kN and 100kN XLC load cells | Single | 100kN |
| NTT/0150/00 | Locking ring for eye ends, mm 41.5mm OD, M24 x 2.5 ID, used on 20kN to 50kN XLC load cells | Single | 50kN |
| NTT/0144/00 | Locking ring for eye ends, mm 70mm OD, M36 x 2.0 ID, used on LR100K Plus AND LR150K Plus | Single | 150kN |
| NTT/0151/00 | Also used on LF Plus, LRX Plus, EZ20, LR30K Plus, EZ50, LR50K Plus and LS100K Plus anchor pin | Single | 100kN |



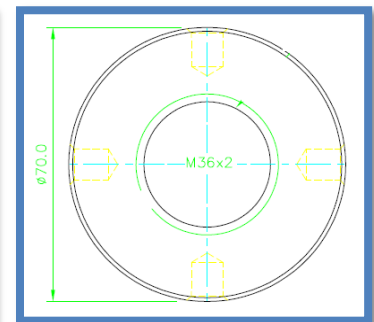
NTT/0139/00



NTT/0151/00



NTT/0150/00



NTT/0144/00

| Part Number | Loadcell Eye Ends | Quantity | Rating |
|-------------|--|----------|--------|
| EET/0088/00 | 5/8 inch eye end for 5N to 500N XLC load cells | Single | 10kN |
| PIN/0322/00 | 5/8 inch eye end for 1kN to 10kN XLC load cells | Single | 10kN |
| ADT/0153/00 | 5/8 inch eye end for 20kN to 50kN XLC load cells | Single | 10kN |
| ADT/0246/00 | 5/8 inch eye end for 100kN XLC load cells | Single | 10kN |
| ADT/0118/00 | 5/8 inch eye end for 100kN HLC load cells, used on LR100K and LR150K Plus | Single | 10kN |
| ADT/0152/00 | 1-1/4 inch eye end for 20kN to 50kN XLC load cells | Single | 10kN |
| ADT/0244/00 | 1-1/4 inch eye end for 100kN XLC load cells | Single | 150kN |
| ADT/0117/00 | 1-1/4 inch eye end for 100kN HLC load cells, used on LR100K Plus AND LR150k Plus | Single | 150kN |

| Part Number | Machine Anchor Pins | Quantity | Rating |
|-------------|--|----------|--------|
| PIN/0322/00 | 5/8 inch used on LF Plus, LRX Plus, LR5K Plus and LR10K Plus | Single | 10Kn |
| PIN/0257/00 | 5/8 inch anchor pin for EZ20, LR30K Plus, EZ50, LR50K Plus | Single | 10kN |
| PIN/0258/00 | 1-1/4 inch anchor pin for EZ20, LR30K Plus, EZ50, LR50K Plus | Single | 150kN |
| PIN/0412/00 | 1-1/4 inch anchor pin for LS100K Plus | Single | 150kN |
| PIN/0415/00 | 5/8 inch anchor pin for LS100K Plus | Single | 150kN |
| ADT/0117/00 | 1-1/4 inch eye end for 100kN HLC load cells, used on LR100K Plus and LR150k Plus | Single | 150kN |

| Part Number | Crosshead Fixing Bolts | Quantity | Rating |
|-------------|--|----------|--------|
| 70108412025 | M12 x 25mm for LF Plus, LRX Plus and LS Series | Single | 5kN |
| ADT/0148/00 | M12 x 1.75P for LR5K Plus and LR10K Plus | Single | 10kN |
| ADT/0150/00 | M12 x 1.75P for LR30K Plus, LR50K Plus, EZ50 | Single | 50kN |
| ADT/0151/00 | M20 x 2.5P for LR30K Plus, LR50K Plus, EZ50 | Single | 50kN |
| ADT/0258/00 | M24 x 2.0P for LS100K Plus | Single | 100kN |

| Part Number | C-Spanners | Quantity | Rating |
|-------------|---|----------|--------|
| SPT/0243/00 | 70mm C-Spanner for LS Series, 100kN and 150kN locking rings | Single | N/A |
| SPT/0244/00 | 42mm C-Spanner for 1kN to 100kN XLC locking rings | Single | N/A |

| Part Number | Pogo Extension Rods | Quantity | Rating |
|-------------|--|----------|--------|
| 01/3720/05 | 500mm long pogo rod for connection to 5/8 inch eye ends | Single | 10kN |
| 01/3720/06 | 600mm long pogo rod for connection to 5/8 inch eye ends | Single | 10kN |
| 01/3720/07 | 700mm long pogo rod for connection to 5/8 inch eye ends | Single | 10kN |
| 01/3720/08 | 800mm long pogo rod for connection to 5/8 inch eye ends | Single | 10kN |
| 01/3720/09 | 900mm long pogo rod for connection to 5/8 inch eye ends | Single | 10kN |
| 01/3720/10 | 1000mm long pogo rod for connection to 5/8 inch eye ends | Single | 10kN |

| Part Number | Universal Joints | Quantity | Rating |
|-------------|--|----------|--------|
| 01/2380 | TTUJ6 100kN Universal Joint 1 ¼ inch eye end | Single | 100kN |
| 01/2381 | TTUJ7 30kN Universal Joint 5/8 inch eye end | Single | 30kN |



AMETEK[®]
TEST & CALIBRATION INSTRUMENTS

United Kingdom

Tel +44 (0) 1243 833 370
uk-far.general@ametek.co.uk

France

Tel +33 (0)1 30 68 89 40
general.lloyd-instruments@ametek.fr

Germany

Tel +49 (0)2159 9136 510
info.mct-de@ametek.de

Denmark

Tel +45 4816 8000
ametekdk@ametek.com

USA

Tel +1 (727) 538 6000
chatillon.fl-lar@ametek.com

California

Tel +1 (800) 444 1850
sales@crystalengineering.net

India

Tel +91 22 2836 4750
ametekdk@ametek.com

Singapore

Tel +65 6484 2388
uk-far.general@ametek.co.uk

China

Shanghai
Tel +86 21 5868 5111
lloyd@ametek.com.cn

Beijing

Tel +86 10 8526 2111
lloyd@ametek.com.cn

Guangzhou

Tel +86 20 8363 4768
lloyd@ametek.com.cn