

PRESENTED BY



**AN ISO 17025
ACCREDITED COMPANY**

DALLAS FT WORTH AUSTIN HOUSTON

NICOLSCALES.COM

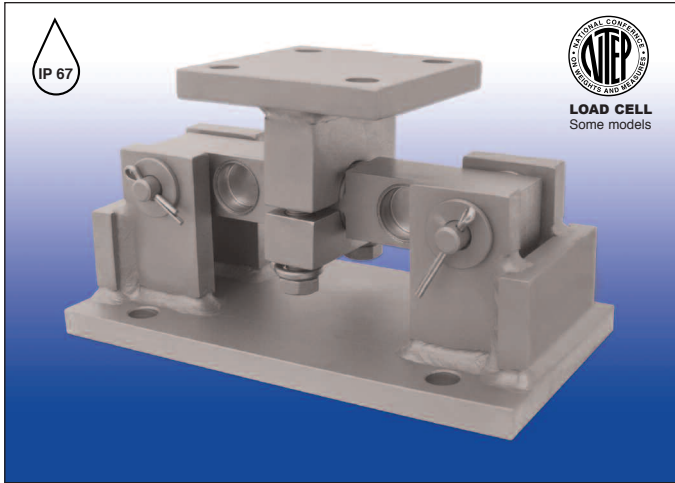
800.225.8181

[CONTACT US](#)

NICOL SCALES & MEASUREMENT IS AN ISO ACCREDITED CALIBRATION
COMPANY THAT HAS PROVIDED CALIBRATION, REPAIR AND SALES OF ALL TYPES
OF WEIGHING AND MEASUREMENT PRODUCTS SINCE 1931.

FAIRBANKS®

OMNICELL® 9104 FB SERIES WEIGHING ASSEMBLY



The 9104 FB is an excellent choice for tank, bin and hopper weighing applications. This Omnicell comes in your choice of mild steel, stainless steel or hybrid construction and is designed to provide years of reliable and accurate performance.

APPLICATIONS

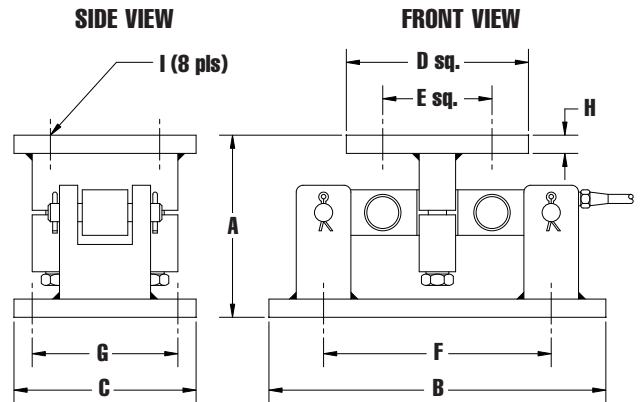
- Blending tanks
- Mixing hoppers
- Storage bins
- Non-skirted silos
- Batching vessels
- Inventory monitoring

FEATURES

- Capacity range of 1000 to 75,000 lbs.
- 100% self-checking, uplift and sideload protection.
- Stainless steel cells feature hermetically-sealed gauging areas — all models except the 1000 lb capacity unit.
- Fabricated mild steel or fabricated stainless steel mounting assemblies.
- Omnicell design counteracts the adverse effects of most blending applications.
- Mounts directly to floor or other structural support.
- High load cell output is perfect for high dead-load and low live-load applications.

SPECIFICATIONS

Capacities	1000 to 75,000 lbs
Mount Construction	304 stainless steel, nickel-plated mild steel
Cable	20 ft., polyurethane
Load cell:	
Full Scale Output (FS)	3.0mV/v ± 0.25%
Combined Error	≤ 0.05% FS
Non-Linearity	≤ 0.03% FS
Hysteresis	≤ 0.03% FS
Creep Error (20 minutes)	≤ 0.03% FS
Compensated Temperature	14° F to 104° F (-10° C to 40° C)
Excitation Voltage	5-15 VDC
Overload	Safe = 150%; Ultimate = 300%
Sideloading	Safe = 100%
Bridge Resistance	700 ohms nominal
Construction	Stainless Steel 17-4 PH, Alloy tool steel
Approvals	NTEP CC# 13-039 (alloy steel load cells, 20-75K capacities)



DIMENSIONS (in inches)

Capacity	A	B	C	D	E	F	G	H	I
1,000 lbs to 5,000 lbs	5.0	9.25	5.0	4.0	2.75	6.25	3.75	0.50	0.56
10,000 lbs to 35,000 lbs	7.9	12.0	8.0	8.0	6.0	7.5	6.0	0.75	0.8
50,000 lbs to 75,000 lbs	9.3	16.25	12.0	9.0	6.5	11.5	9.5	1.0	0.8

QuickFacts™

Models and specifications subject to change without notice.
Printed in the USA. © Fairbanks Scales Inc.

Call toll-free for the Fairbanks representative nearest you:

(800) 451-4107

Internet Address: <http://www.Fairbanks.com>