

PRESENTED BY



**AN ISO 17025  
ACCREDITED COMPANY**

DALLAS      FT WORTH      AUSTIN      HOUSTON

[NICOLSCALES.COM](http://NICOLSCALES.COM)

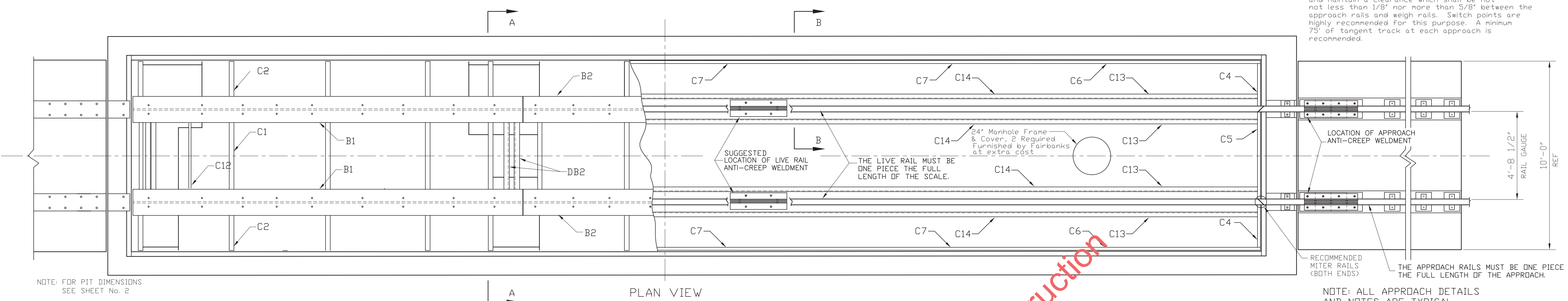
---

800.225.8181

[CONTACT US](#)

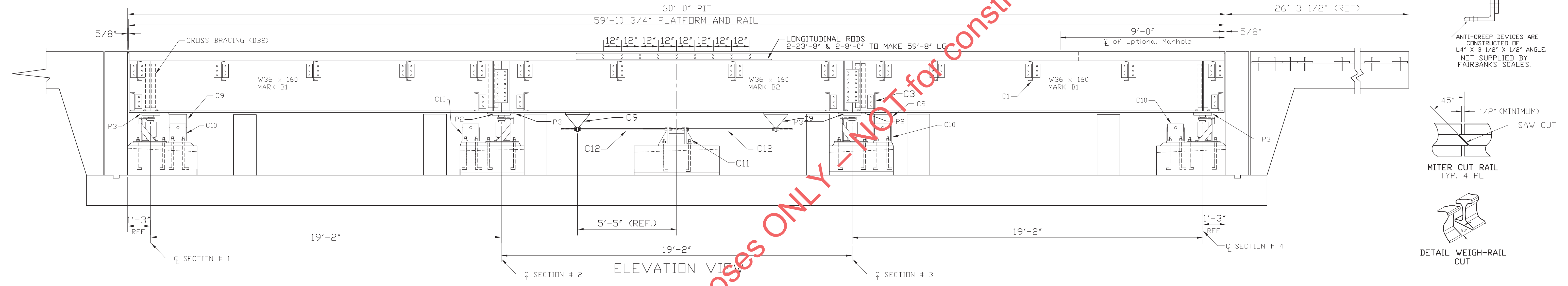
NICOL SCALES & MEASUREMENT IS AN ISO ACCREDITED CALIBRATION COMPANY THAT HAS PROVIDED CALIBRATION, REPAIR AND SALES OF ALL TYPES OF WEIGHING AND MEASUREMENT PRODUCTS SINCE 1931.

NOTE: Positive means must be provided by others to prevent creeping of approach rails and maintain a clearance which shall be not less than 1/8" nor more than 5/8" between the approach rails and weigh rails. Switch points are highly recommended for this purpose. A minimum 75' of tangent track at each approach is recommended.

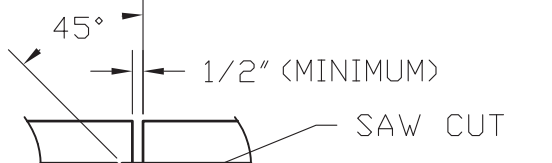


NOTE: FOR PIT DIMENSIONS SEE SHEET No. 2

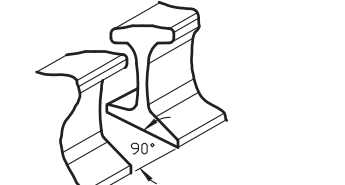
NOTE: ALL APPROACH DETAILS AND NOTES ARE TYPICAL.



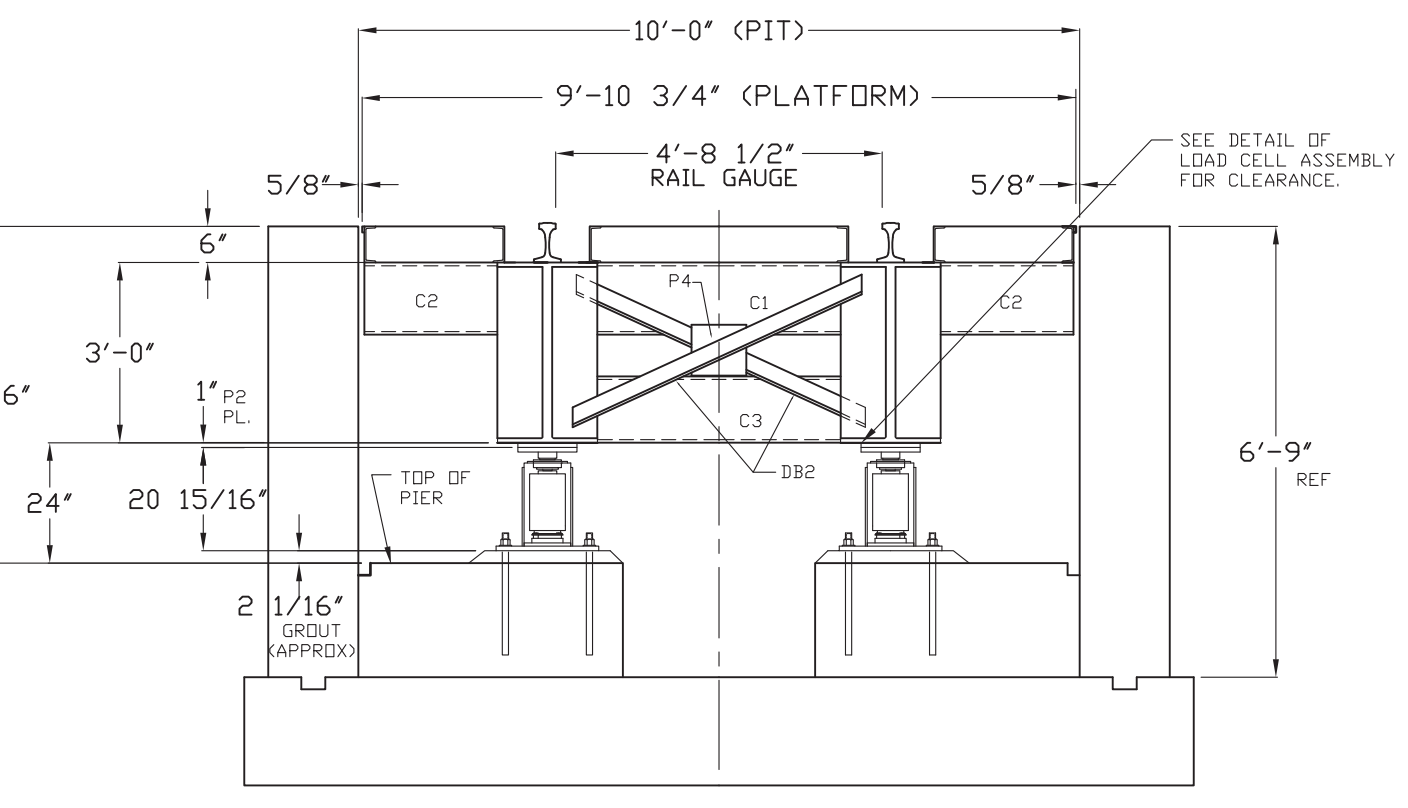
ANTI-CREEP DEVICES ARE CONSTRUCTED OF 4" X 3 1/2" X 1/2" ANGLE. NOT SUPPLIED BY FAIRBANKS SCALES.



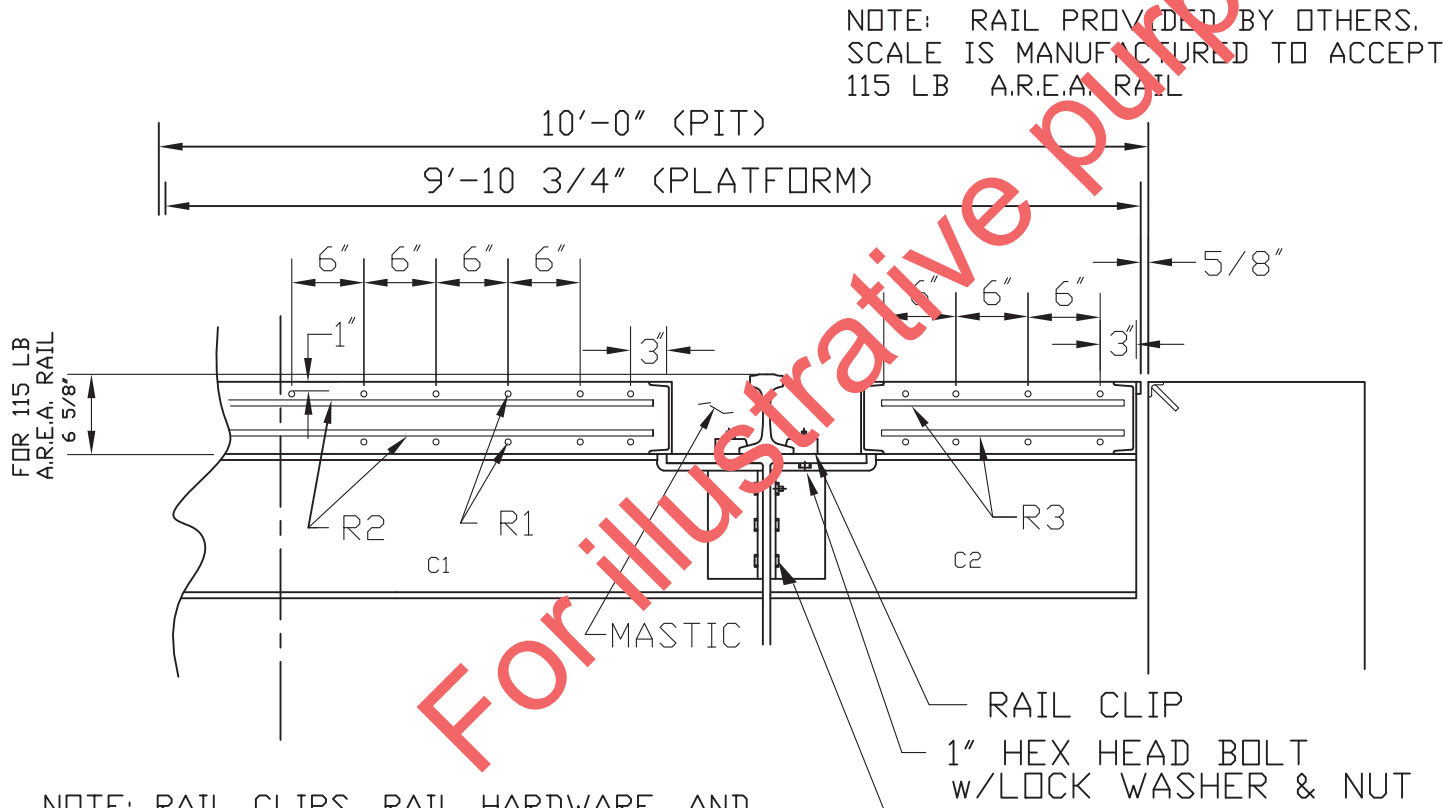
MITER CUT RAIL TYP. 4 PL.



DETAIL WEIGHT-RAIL CUT



SECTION A-A

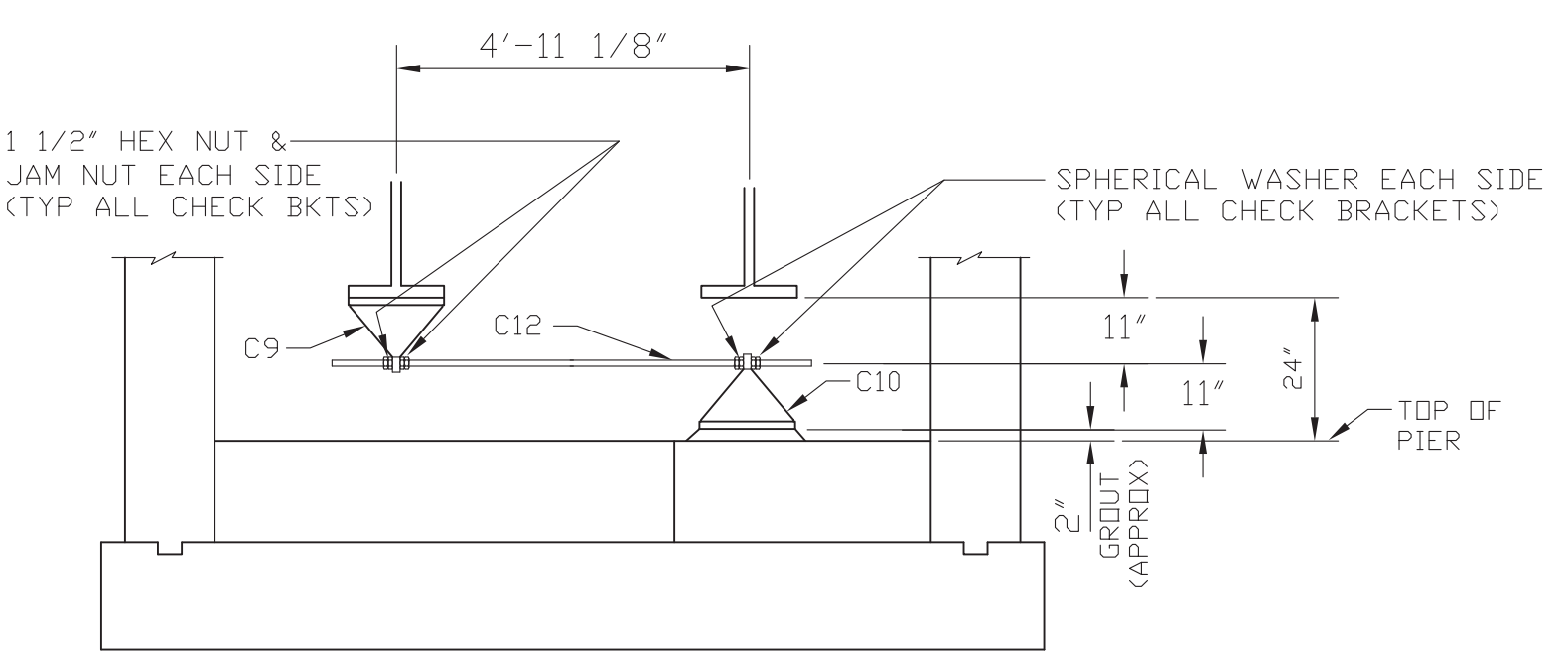


SECTION B-B

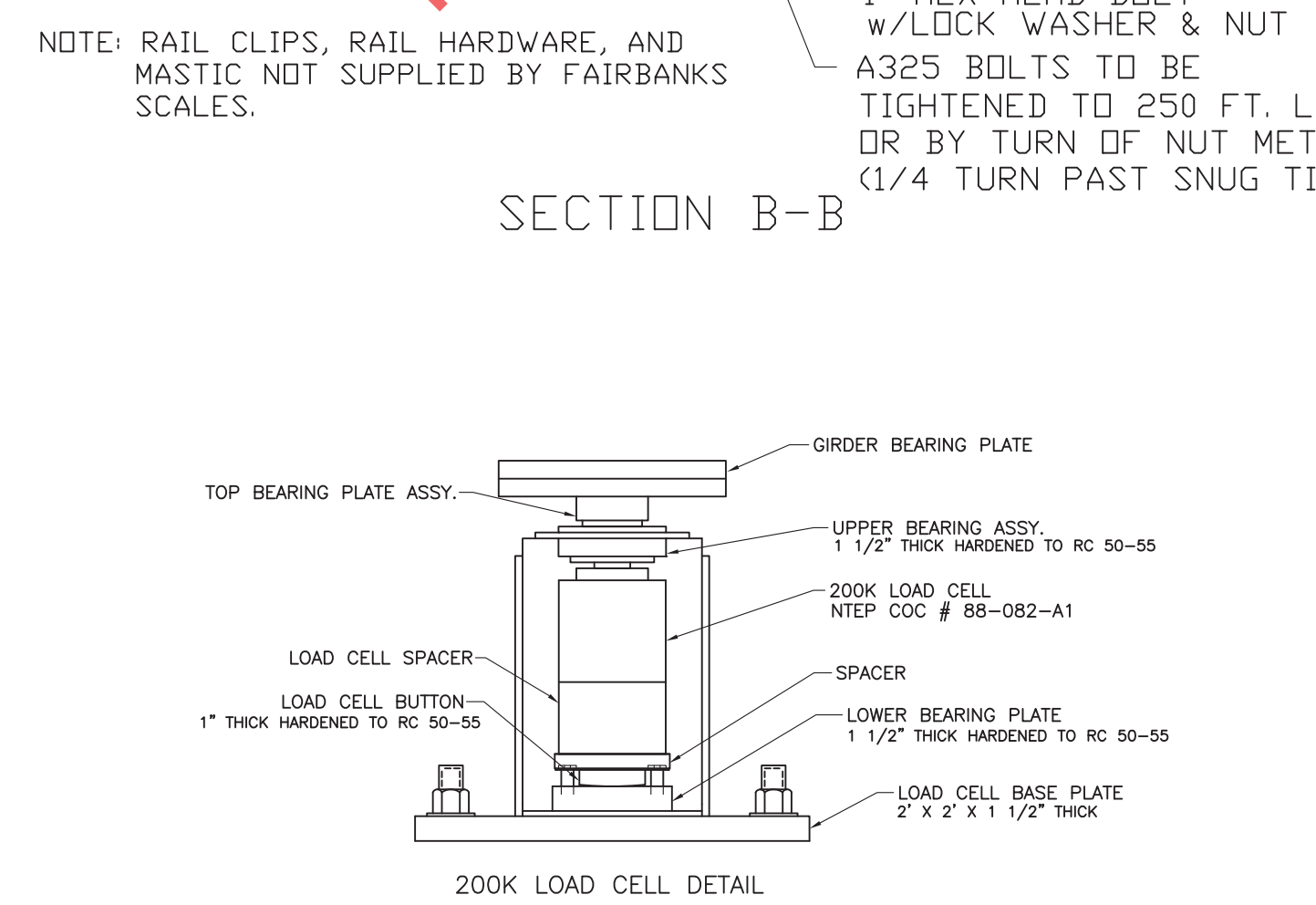
DECK REINFORCING			
MARK	QTY.	DESCRIPTION	WT.
R1	64	1/2" X 23'-8 RE-ROD	1011
R2	64	1/2" X 8'-0" RE-ROD	342
R3	244	1/2" X 21" RE-ROD	286
R4	122	1/2" X 3'-7" RE-ROD	292

GENERAL NOTES

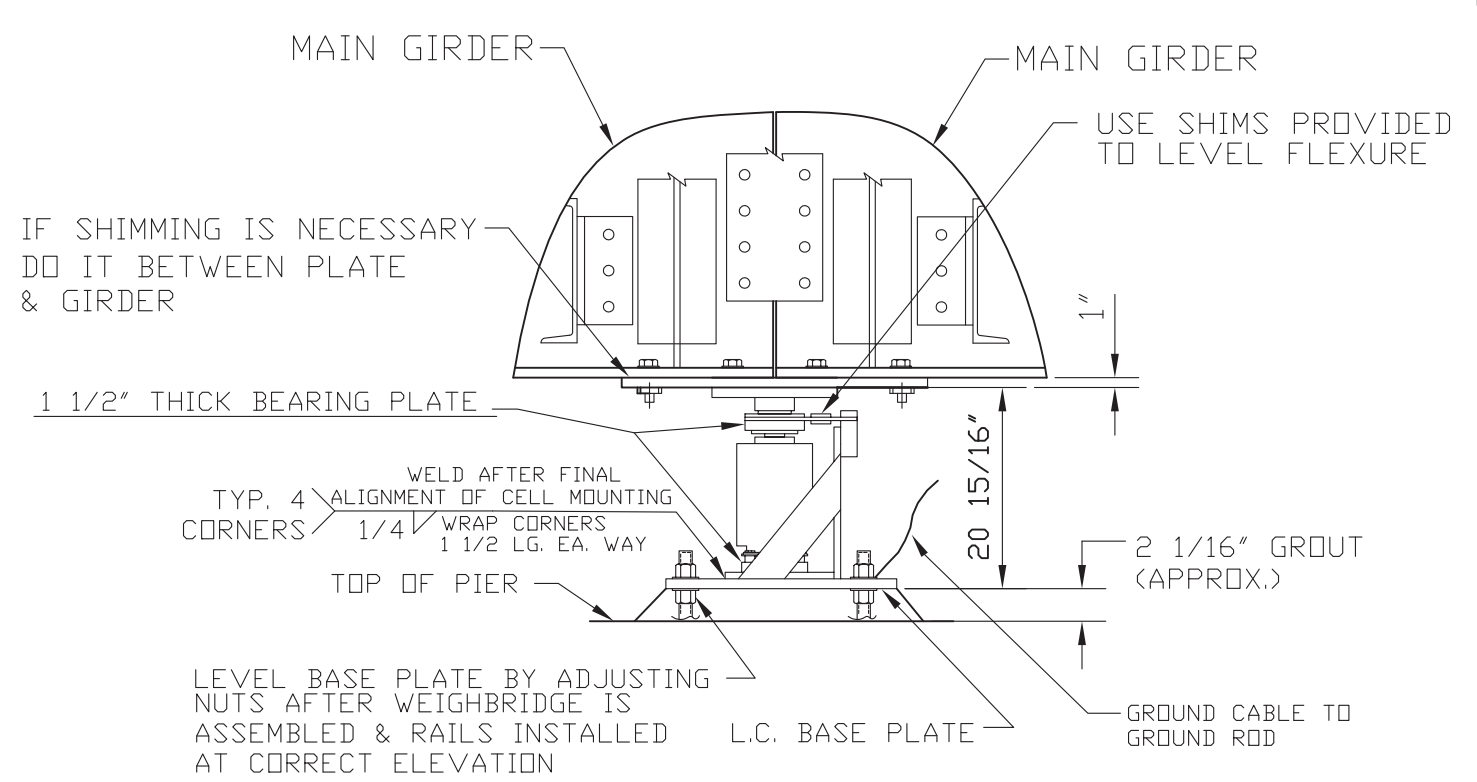
- If AC. power is required in the pit, it shall not run closer than 24" parallel to any load cell cable.
- For grounding electrical hook-up, refer to Fairbanks Manual SJ-3752.
- Material and workmanship for steel shall be in accordance with the latest issue of AISC Specifications and codes of standard practice, ASTM designation A36, latest issue for steel.
- All bolted connections (shop or field) shall consist of high-strength bolts conforming to the latest ASTM specifications (A-325) and installed according to manufacturers' recommendations. Use the turn-of-the-nut method or torque figures given in Fairbanks handbook SJ-3528.
- FINISH: All structural steel shall have one shop prime coat. Areas around field welded connections shall not be painted. Immediately following the connecting of the members, the heads, nuts, and washers of all permanent bolts, all field welds after removal of residual flux, all abrasions of the shop prime coat, and all field erection marks shall be thoroughly covered with one coat of shop paint before the finish coat is applied.
- To avoid damage to load cells during welding, it is recommended that the weighbridge be temporarily erected on blocks or dummy load cells.
- Load cell base plates shall be level within 1/32" per foot. Load cell base plates shall not be grouted before the weighbridge is adjusted to final elevation.
- The lateral and longitudinal check rods must be level within .010" per foot.
- All grout shall be non-shrink type Sealight 588 or equal. Grout is to be put in place and finished per the manufacturer's recommendations.
- Load cell top bearing plates shall be level within 1/32". If shims are required, they must provide full support between the bearing plate and the main beam.
- Note: If welding is done in the pit after the installation has been completed with the load cells in place, all load cells must be disconnected and the leads prevented from grounding.
- All load cell mounting hardware and check rod nuts are to be grease coated.
- Reference - Installation and Maintenance Handbook SJ-3528.
- Bituminous mastic around rails to be continuous from the approach slab to the approach slab ends, except at rail cuts to allow for movement.



VIEW SHOWING LATERAL CHECK TYP. AT EACH SECTION



200K LOAD CELL DETAIL



DETAIL OF 200K LB. LOAD CELL ASSEMBLY

DECK EST. CONCRETE FOR DECK: 9.5 CU. YDS.

DECK SLAB DESIGNED TO ACCEPT ANY HIGHWAY VEHICLE NOT REQUIRING SPECIAL PERMIT FOR OVERWEIGHT OR OVERWIDTH. CONCRETE TO ATTAIN ULTIMATE COMPRESSIVE STRENGTH OF 3000 PSI AT 28 DAYS.

LET	BY	DATE	REVISION
A	KRM	8/97	UPDATED SECTION B-B
B	SLS	8/98	REVISED REBAR SPACING

<p><b>FAIRBANKS SCALES</b> Meridian, Mississippi</p> <p>FULL ELECTRONIC COMBINATION RR TRACK/MTS SETTING PLAN MODEL NO. 12-1492 60'-0" X 10'-0" 6" CONCRETE DECK 180 TONS PER SECT. 4-SECTION 360 TONS GROSS CAPACITY</p>		<p>DATE: 12/11/95</p> <p>SCALE: N/A</p> <p>SHEET: 1 of 2</p> <p>DRAWN BY: BRK</p> <p>MODEL#: 12-1492</p> <p>D140282</p>
---	--	---