

PRESENTED BY



**AN ISO 17025
ACCREDITED COMPANY**

DALLAS FT WORTH AUSTIN HOUSTON

NICOLSCALES.COM

800.225.8181

[CONTACT US](#)

NICOL SCALES & MEASUREMENT IS AN ISO ACCREDITED CALIBRATION
COMPANY THAT HAS PROVIDED CALIBRATION, REPAIR AND SALES OF ALL TYPES
OF WEIGHING AND MEASUREMENT PRODUCTS SINCE 1931.



Model 338

Load Cell

Load cell model 338 is designed both for occasional force checking and for permanent installation. The robust construction is suitable for rough operating conditions on machines and installations. The standard instrument is fitted with a 63 mm diameter gauge with maximum reading pointer.

Technical Information

Model	Nominal value	High-pressure hose (m)	Capillary tube (m)	Weight (kg)	Dimensions (mm)											
					øD1	øD2	øD3	øD4	H1	H2	H3	H4	H5	H6	L1	M1
338- 400 N	400 N	-	-	1,6	70	58	55	63	59,5	9,5	14	14	12,5	32	80	M6
338- 630 N	630 N															
338- 1 kN	1 kN															
338- 1,6 kN	1,6 kN	0,63	1													
338- 2,5 kN	2,5 kN															
338- 4 kN	4 kN	1,5	4													
338- 6,3 kN	6,3 kN															
338- 10 kN	10 kN															
338- 16 kN	16 kN	5	10													
338- 25 kN	25 kN															
338- 40 kN	40 kN															
338- 63 kN	63 kN															

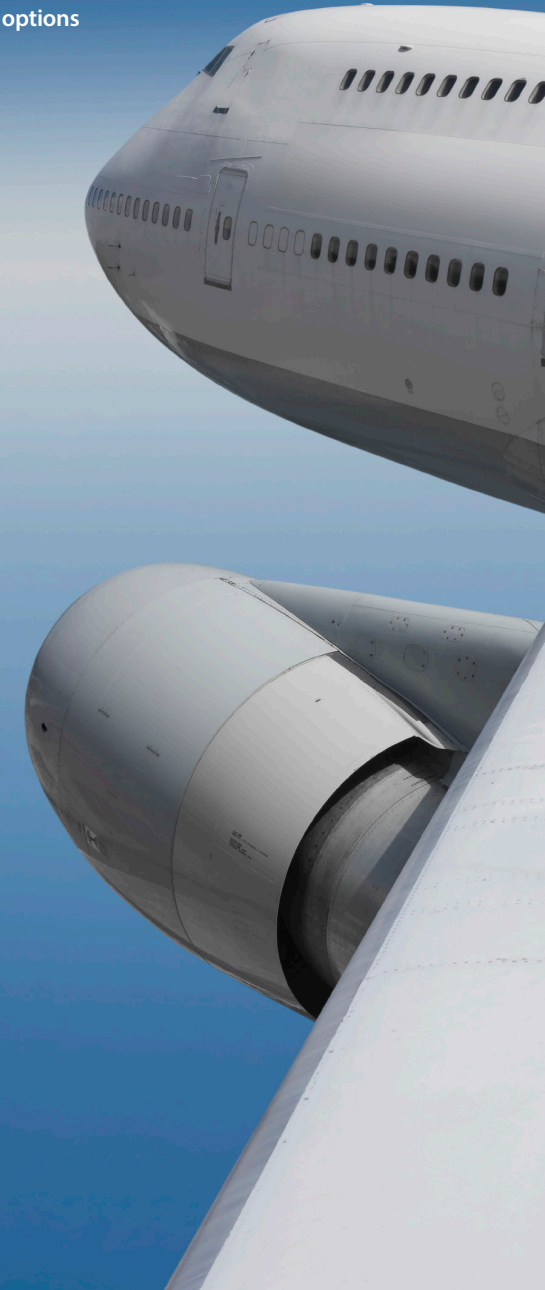
Number of borings:

2 parts each displaced by 180°

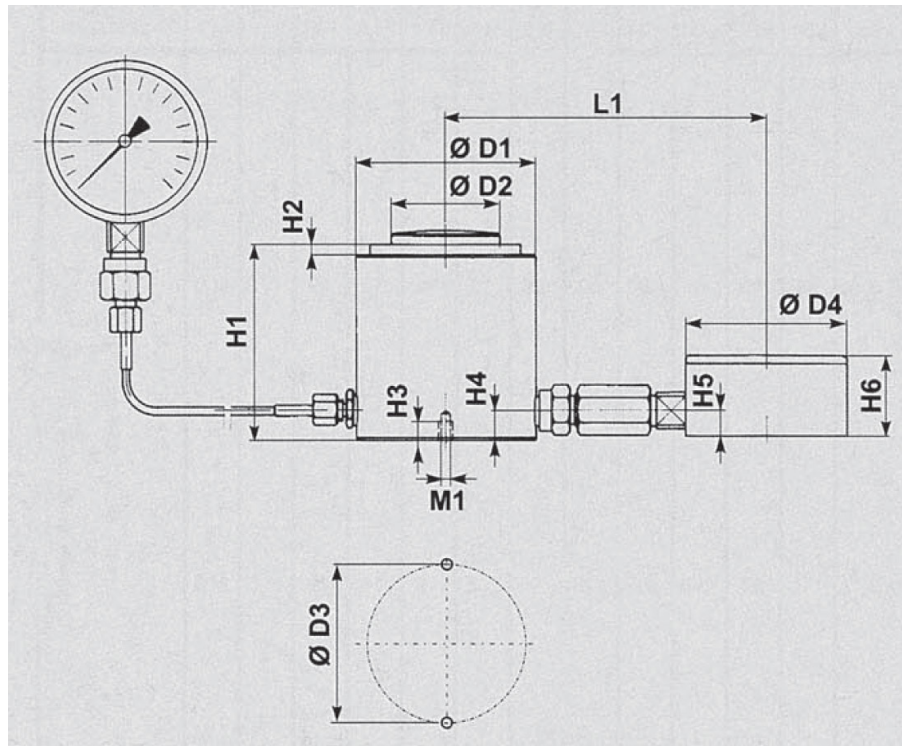
Version "B" (e.g. High-pressure hose, capillary tube, borings etc.) on request.

"A"-version; Load cell with attached display unit, without any accessories or options

"B"-version; Load cell with accessories or options



Technical Information



AMETEK Test & Calibration Instruments

8600 Somerset Drive • Largo, FL 33773 • USA • Tel +1-727-536-7831 • test@ametek.com

© 2015 AMETEK Inc.

Pub code: SS-338 Issue: 1506

Information in this document is subject to change without notice. No part of this document may be reproduced or modified in any form or by any means, electronic or mechanical, without express written permission from AMETEK Test & Calibration Instruments.

Erichsen ™
wuppertal

www.ametektest.com

AMETEK®
TEST & CALIBRATION INSTRUMENTS